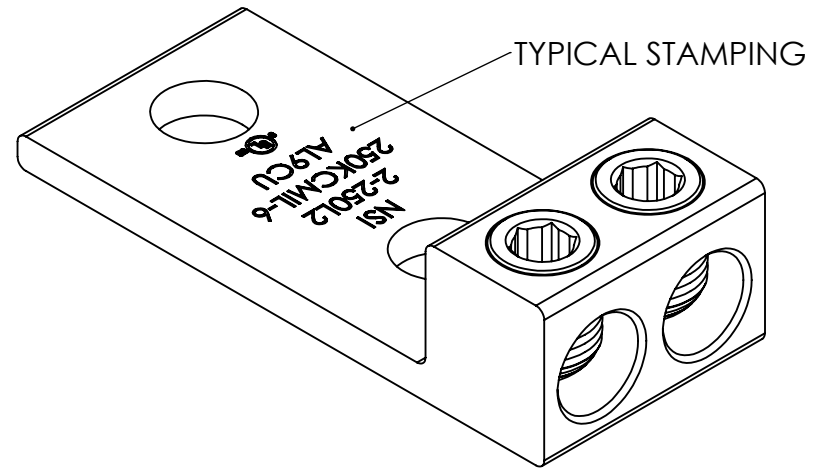
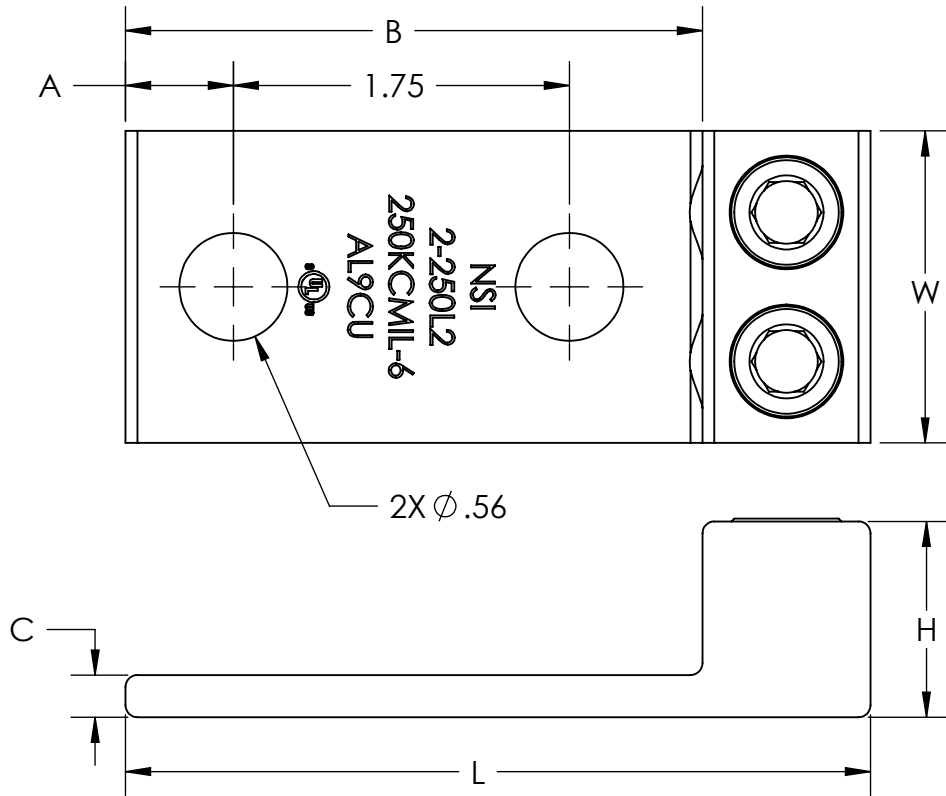


NSI PART #	WIRE RANGE AL/CU	HEX SIZE	L	H	W	A	B	C	MAX TIGHTENING TORQUE IN/LBS
2-250L2	250 - 6	5/16"	3.88	1.02	1.63	.56	3.01	.22	275
2-350L2	350 - 6	5/16"	4.25	1.13	1.92	.63	3.25	.25	275
2-600L2	600 - 2	3/8"	4.65	1.51	2.41	.63	3.40	.38	375
2-800L2	800 - 300	1/2"	4.75	1.69	2.75	.63	3.38	.44	500
2-1000L2	1000 - 350	9/16"	4.94	1.88	3.19	.63	3.44	.44	600



**NOTES:**

1. TIN PLATED 6061-T6511 ALUMINUM ALLOY.
2. UL LISTED 90° C FOR COPPER AND ALUMINIUM CONDUCTOR.

		<b>nsi</b> INDUSTRIES	
PROPRIETARY AND CONFIDENTIAL		9730 Northcross Center Court Huntersville, NC 28078	
THE INFORMATION CONTAINED IN THIS DRAWING IS THE SOLE PROPERTY OF NSI Industries, LLC. REPRODUCTION IN PART OR AS A WHOLE WITHOUT THE WRITTEN PERMISSION OF POLARIS SALES CO. INC. IS PROHIBITED.		TITLE: <b>NSI TWO PORT NEMA SPACING LUGS L2 SERIES</b>	
	NAME	DATE	DWG. NO.
DRAWN BY	KM	3/18/2011	NSI PANELBOARD LUGS 2 PORT
MATERIAL: 6061-T6511 ALUMINUM		SCALE: 1:1	SHEET: 1 OF 1